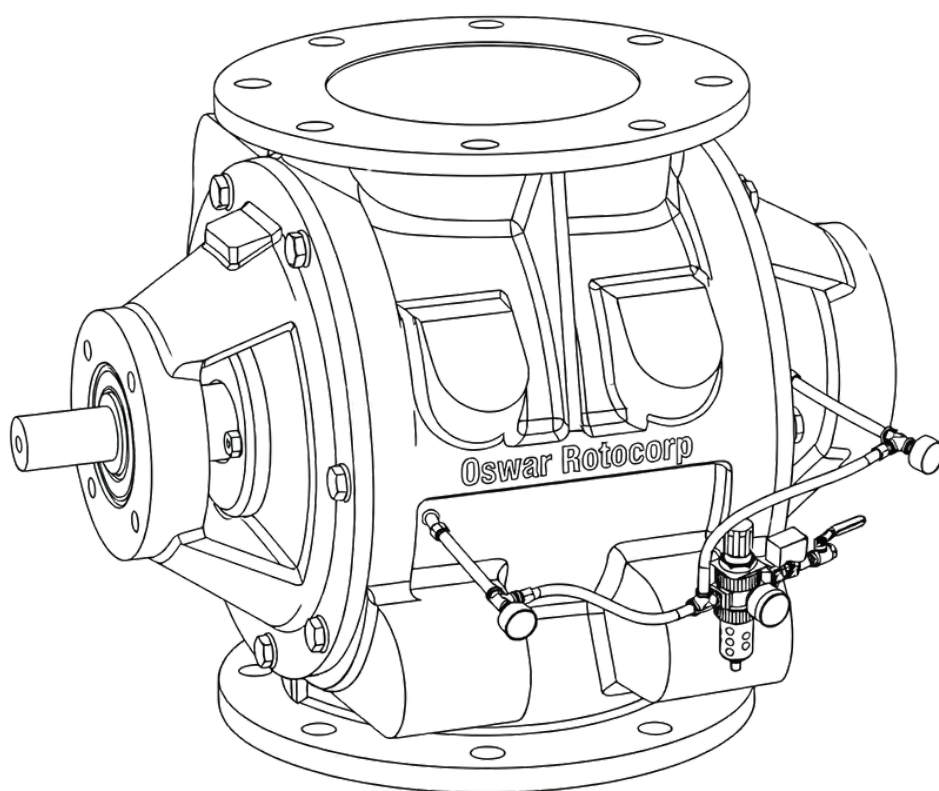



PETROCHEMICAL INDUSTRY

HAZARDOUS & HIGH-INTEGRITY PROCESSES



OSWAR
rotocorp



Oswar Rotocorp delivers engineered flow control and material handling solutions designed specifically for safety-sensitive petrochemical applications. Our equipment supports controlled feeding, pressure containment, and sealed material transfer in refineries, polymer plants, and chemical processing units.

Each solution is developed to ensure operational reliability, structural strength, and long-term durability in demanding petrochemical environments.

CRITICAL PROCESS AREAS

CATALYST
HANDLING &
INJECTION
SYSTEMS

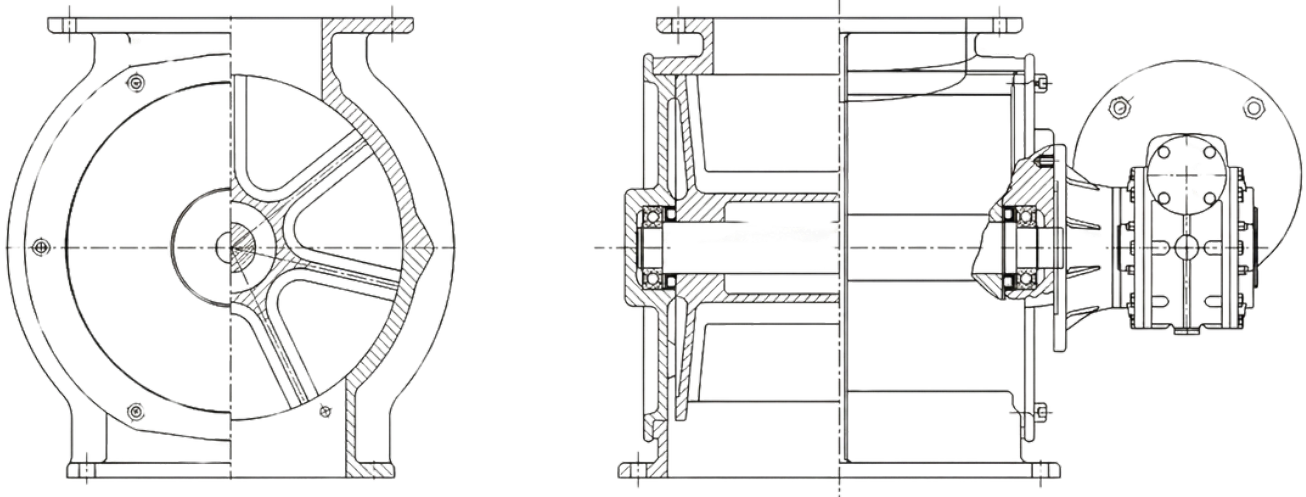
POLYMER & RESIN
POWDER
DISCHARGE

SILLO & HOPPER
ISOLATION

DUST & VAPOR
CONTAINMENT
SYSTEMS

BUILT FOR PRESSURE, CONTAINMENT & DURABILITY

Petrochemical applications demand precision engineering and structural robustness. Our equipment is manufactured using high-grade materials, reinforced housings, and optimized sealing systems to ensure containment and resistance to corrosive or reactive substances. Rotary Valves are engineered with controlled tolerances and advanced shaft sealing configurations to maintain airlock integrity in pressure or vacuum conveying systems. Specialized sealing arrangements reduce leakage risk and enhance process stability.



ENGINEERING FEATURES

- Heavy-Duty Rotary Valves for Polymer & Catalyst Handling
- Pneumatic Pressure Rotary Valves for Pressurized Conveying
- Corrosion-Resistant Rotary Valves
- Slide Gate Valves for Process Isolation
- Diverter Valves for Multi-Line Distribution
- Flap Valves / Gravity Gates for Dust Systems

ENSURING PROCESS CONTAINMENT & OPERATIONAL STABILITY

- **Enhanced Pressure Containment**
- **Reduced Leakage & Emission Risk**
- **Improved Airlock Efficiency**
- **Corrosion & Chemical Resistance**
- **Stable Operation Under Continuous Load**
- **Lower Maintenance & Extended Service Life**



OSWAR

rotocorp

Corporate Office

Jaipur, Rajasthan India
Nagpur, Maharashtra India

Sales Inquiries

info@oswarrotocorp.com

Helpline

[+44 7917 128505](tel:+447917128505) | +91 77422 36474

Copyright © 2026 OSWAR ROTOCORP. All Rights Reserved. OSWAR® is a registered trademark of **OSWAR ROTOCORP**. This brochure makes no offers, representations or warranties (express or implied), and information and data contained in this brochure are for general reference only and may change at any time.